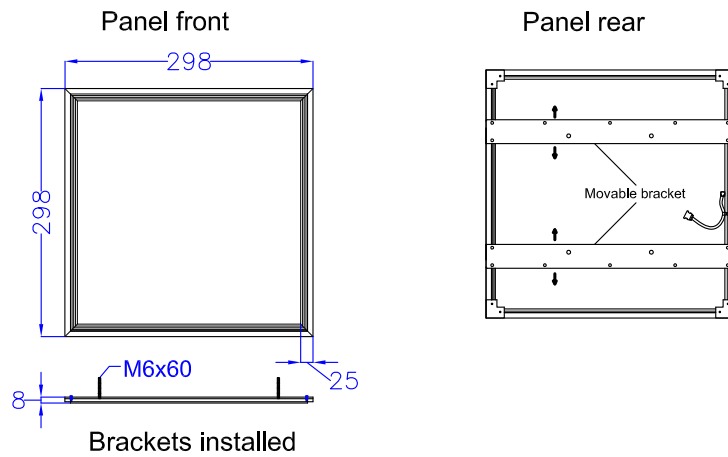
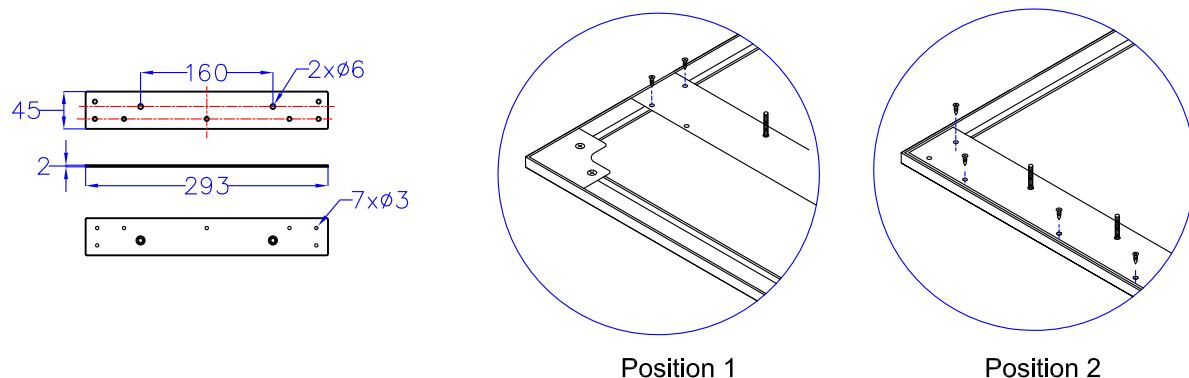


LED Panel dimensions



Bracket dimensions and installation

The brackets are movable, the position can be changed according the demand



Specification

Optics parameter	Luminous	Luminous efficacy	Light angle	Light decay	Lamp CRI	Lamp CCT
	800lm	>80lm/W	120°	<30% @25,000H	>70	WW-3000K NW-4000K CW-6000K
Electrical parameter	Power	Input voltage	Input current	Power efficiency	Frequency	Mode
	10W	180-264V	100mA	>85%	50 / 60Hz	CC
Chip parameter	LED brand	LED model	LED quantity	LED CRI		
	DSBJ	4014	50	>70		
Physical parameter	Light material	Light finishing	Working temperature			
	Al. + PC	Anodizing al.	-10 ~ 40°C			
Package	Carton size	Carton weight				
	405x345x45mm	1kg	Brackets , fixing accessories included in the carton			