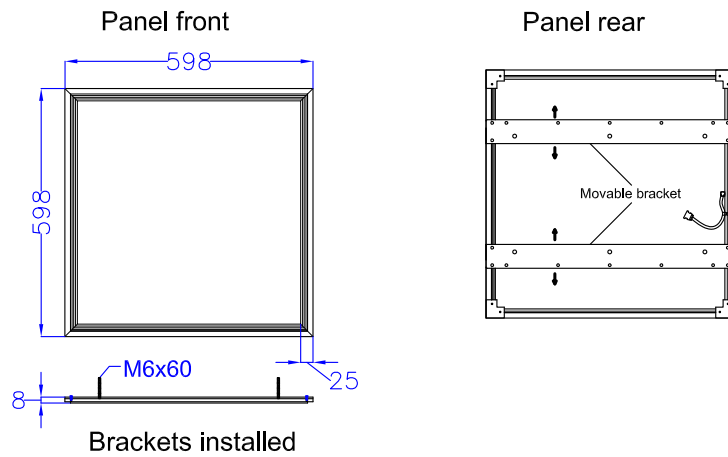
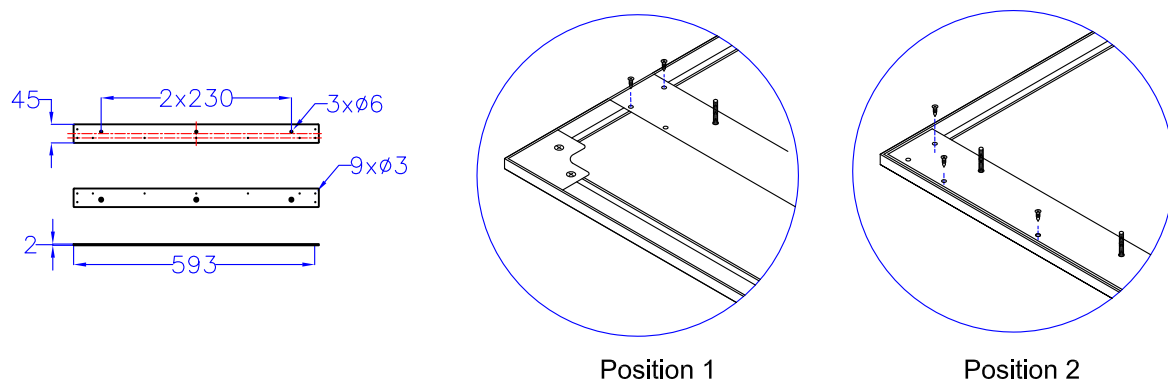


LED Panel dimensions



Bracket dimensions and installation

The brackets are movable, the position can be changed according the demand



Specification

<b>Optics parameter</b>	Luminous	Luminous efficacy	Light angle	Light decay	Lamp CRI	Lamp CCT
	3000lm	>80lm/W	120°	<30% @25,000H	>80	WW-3000K NW-4000K CW-6000K
<b>Electrical parameter</b>	Power	Input voltage	Input current	Power efficiency	Frequency	PF
	36W	110-240VAC	850mA	>85%	50 / 60Hz	0.95
<b>Chip parameter</b>	LED brand	LED model	LED quantity	LED CRI		
	DSBJ	4014	198	>70		
<b>Physical parameter</b>	Light material	Light finishing	Working temperature			
	Al. + PC	Anodizing al.	-10 ~ 40°C			
<b>Package</b>	Carton size	Carton weight				
	695x695x35mm	2kg	Brackets , fixing accessories included in the carton			