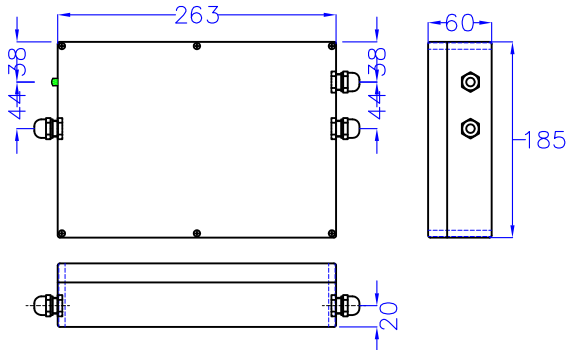
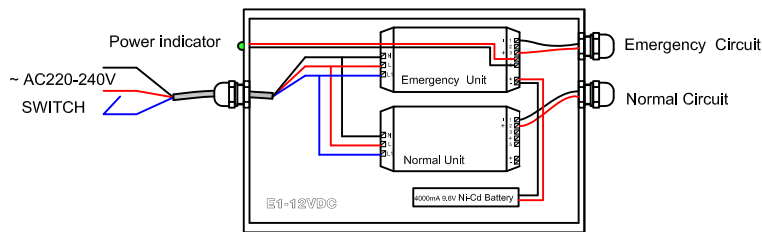


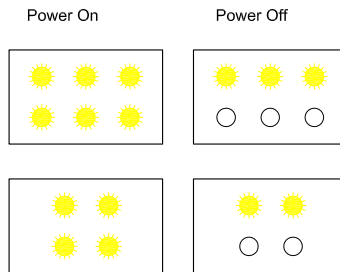
12VDC emergency power dimensions



Wiring



Application



Specification

	E1-12VDC-90M	E1-12VDC-180M	
Input	220-240VAC	220-240VAC	
	50/60Hz	50/60Hz	
Output	12VDC	12VDC	
	Max.18W 90mins / Maintained	Max.18W 180mins / Maintained	
Max. driving capability	Emergency Circuit Max. 9W		
	Normal Circuit Max. 9W		
Comment	Battery pack to be changed after 3 years		