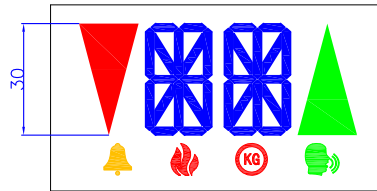
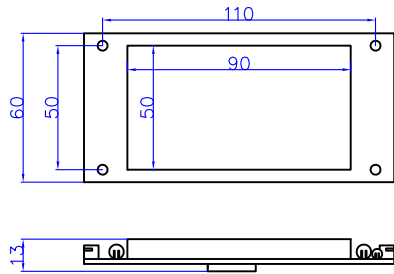
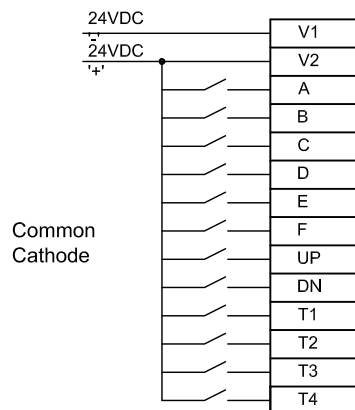
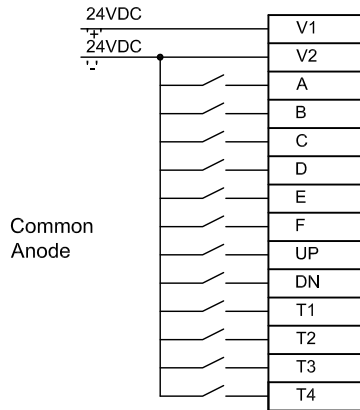


Dimension and configuration



Layout

Wiring



Specification

Physical parameter	Dimensions	Screen diagonal	Display area	Orientation	Fixing size	Fixing hole
		60x125x13mm	4.05 inch / 13mm	50x90mm	Horizontal	50x110mm
Electrical parameter	Supply voltage	Current	Input signal			
	12-30VDC	40mA@24VDC	Parallel signals (Binary, Gray, BCD, 7-Segment)			
	No. of floor	Gong	Programming			
	63	Interface reserved	Computer interface and 4 keys on pcb			