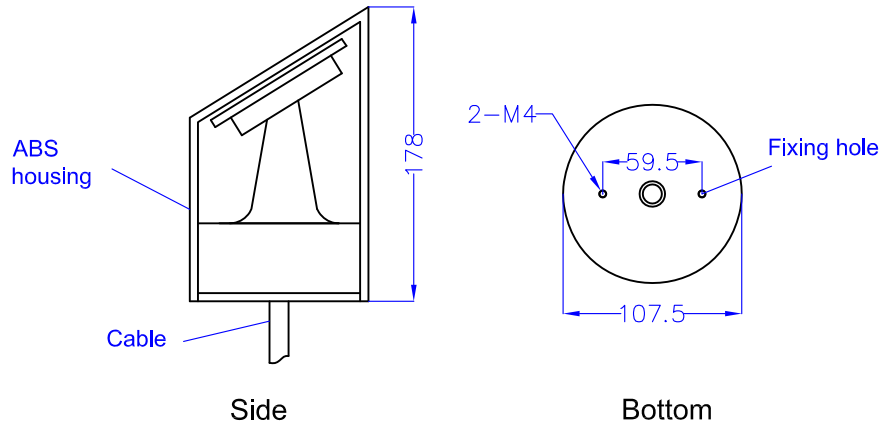
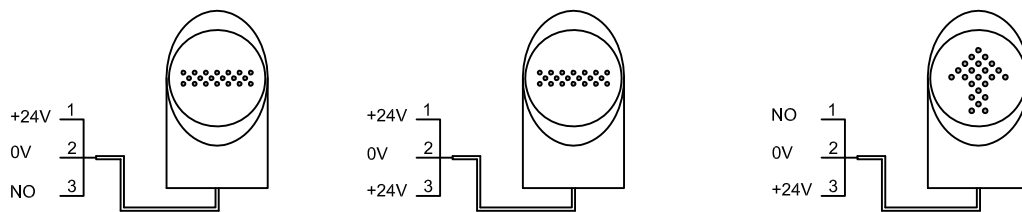


Dimensions



Wiring



Cable no.	Colour	Definition
1	red	Connect to +24VDC, stop sign '←' on shown, high priority
2	yellow	Connect to '0V', common terminal
3	green	Connect to +24VDC, running sign '→' on shown, low priority

Specification

Physical parameter	Housing material	Total height	Diameter	Protection class
	ABS	178mm	107.5mm	IP65
Electrical parameter	Working voltage	Working current		
	24VDC ±20%	≤110mA		
Optical parameter	Lux		light source	
	Red ≥ 110lux / Green ≥300lux		Green and red LED dot matrix	
Working Environment	Humidity	Temperature		
	<95%	-20°C - 60°C		