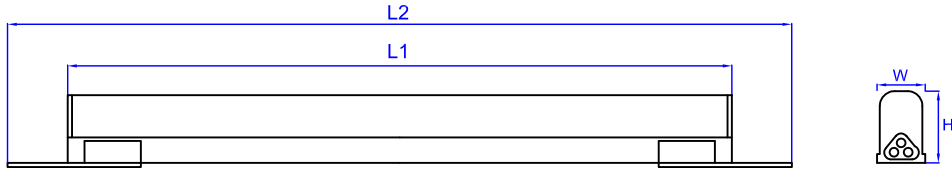

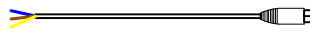


Dimensions

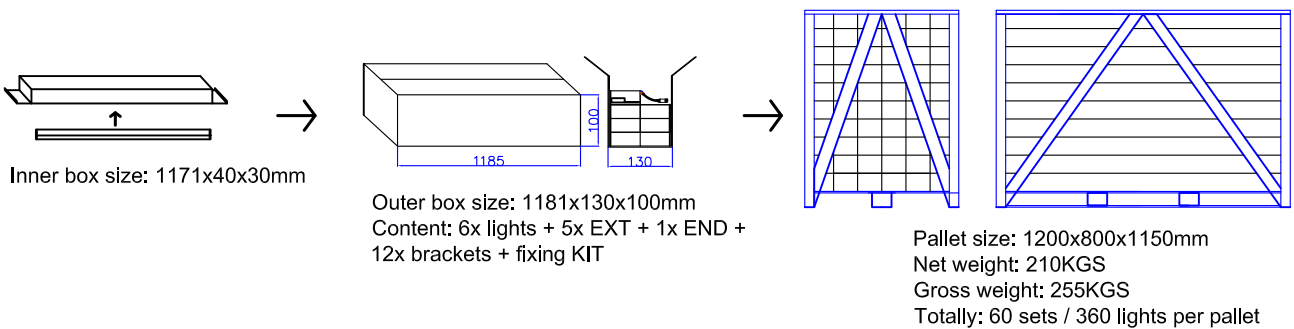


Model No.	L1(mm)	L2(mm)	W(mm)	H(mm)	Flux(lm)	Ra	Input voltage
B6-LT6-12W	865	1025	22	31	1200	>80	180-265VAC
B6-LT6-16W	1155	1315	22	31	1600	>80	180-265VAC

Cables

	Code	Length (m)	Cable type
 Connecting cable	B6-LT6-EXT-2M	2	H05VVH2-F 3x0.75mm ²
	B6-LT6-EXT-3M	3	
	B6-LT6-EXT-5M	5	
 End cable	B6-LT6-END-10M	10	

Packaging



Connection

