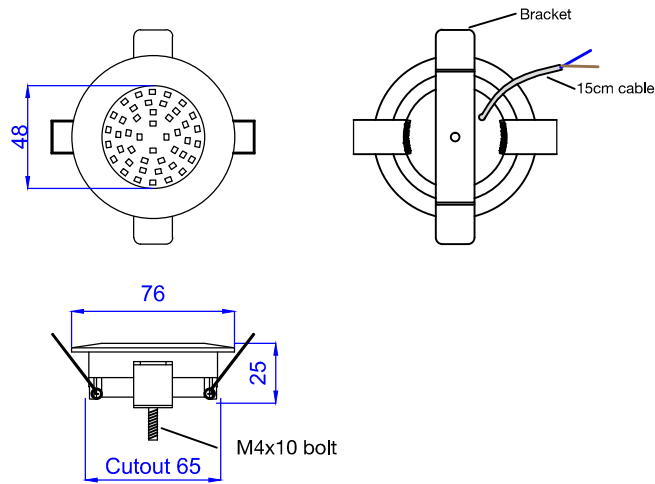
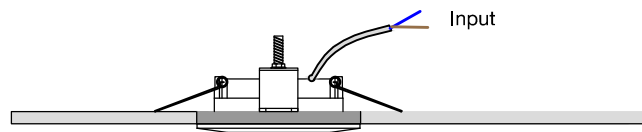


Dimensions



Installation



Specifications

Optics parameter	Luminous	Luminous efficacy	Light angle	Light decay	CRI	CCT
	300-350lm	>110lm/W	120°	<30% @25,000H	>85	3000 - 6500K
Electrical parameter	Power	Input voltage	Input current	Power efficiency	Mode	Driver
	3W	200-240V	30mA	>85%	CC	Internal driver
Chip parameter	LED brand	LED model	LED quantity	LED CRI		
	Sanan	2835	45	>85		
Physical parameter	Light material	Light finishing	Working temperature		Collar	
	Alu. + PC	Anodizing alu.	-10°C ~ 40°C		Chrome / White	
Package	Carton size	Carton weight				
	510x350x270mm	14.50kg				

Production series	Flat ceiling light	Edition No.	V3.19.04
Production code	CL2-xH	Made by	Ken
TS No.	LK19.CL2.0100	Approved by	Susan