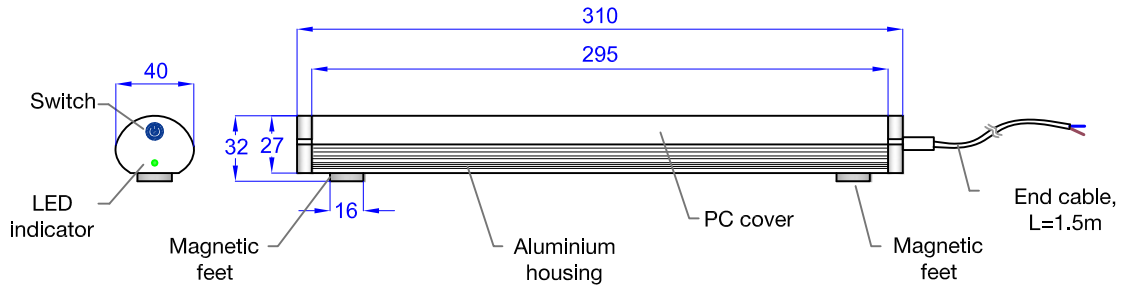
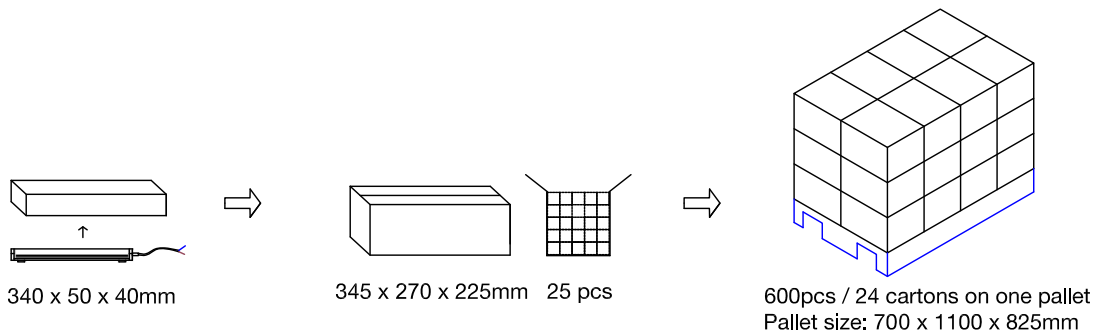


Dimensions



Packaging



Specifications

Electrical parameter	Voltage	Frequency	Power	Recharge time	Standby
	100-240VAC	50/60Hz	5W	> 10hours	90mins
Optics parameter	Lumens	CCT	Illumination		
	500lm	6500K	> 60lux@1.5m		
Physical parameter	Type	Battery	Cable	Working tempt.	
	Maintained	Li-ion, 2000mAh	H03, 2 x 0.75mm ²	0°C ~ +40°C	



Battery pack to be changed after 3 years!

Production series	CABINET LIGHT	Edition No.	V3.19.04
Production code	EP5-HM-O5W	Made by	Ken
TS No.	LK19.EP5.0100	Approved by	Susan