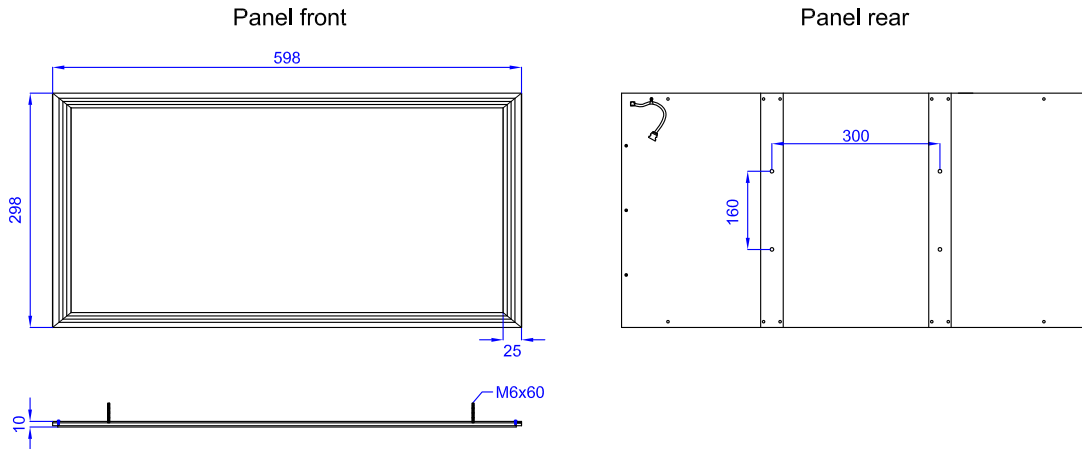
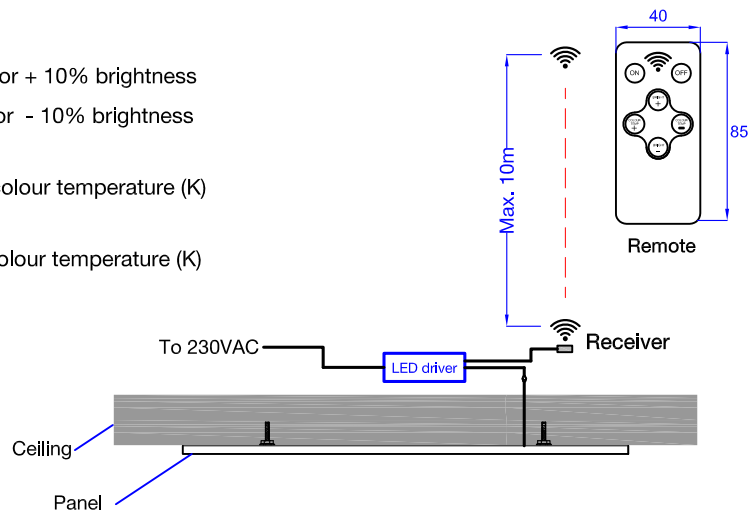


Dimensions



Installation

1. 'ON': turn on the panel
2. 'OFF': turn off the panel
3. 'BRIGHT+': press once for + 10% brightness
4. 'BRIGHT-': press once for - 10% brightness
5. 'COLOUR TEMP+':
press once for + 10% the colour temperature (K)
6. 'COLOUR TEMP-':
press once for - 10% the colour temperature (K)



Specifications

Optics parameter	Luminous	Luminous efficacy	Light angle	Light decay	CRI	CCT
	1400-1700lm	>80lm/W	120°	<30% @25,000H	>70	3000 - 6500K
Electrical parameter	Power	Input voltage	Input current	Power efficiency	Frequency	Mode
	20W	180-264V	300mA	>85%	50 / 60Hz	CC
Chip parameter	LED brand	LED model	LED quantity	LED CRI		
	DSBJ	4014	96	>70		
Physical parameter	Light material	Light finishing	Working temperature			
	Alu. + PC	Anodizing alu.	-10°C ~ 40°C			
Package	Carton size	Carton weight				
	735x345x45mm	2kg	Brackets , fixing accessories included in the carton			

Production series	Remote Panel	Edition No.	V3.19.04
Production code	CL1-0306	Made by	Ken
TS No.	LK19.CL1.0200	Approved by	Susan